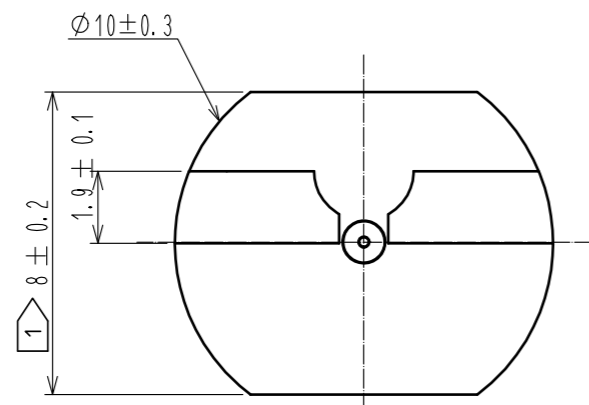
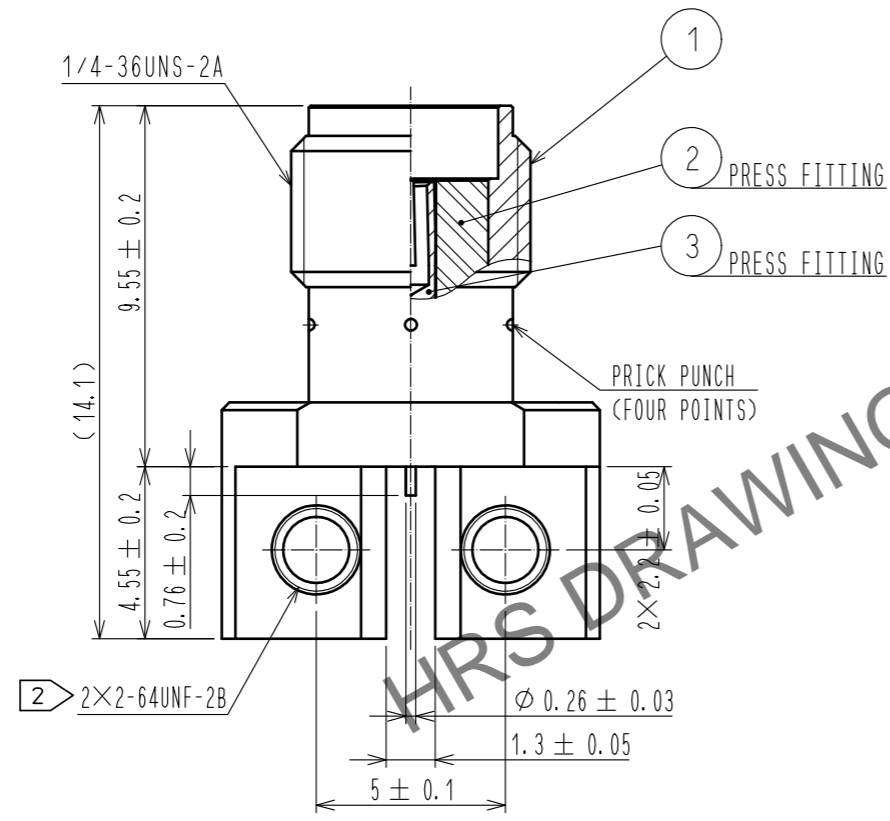
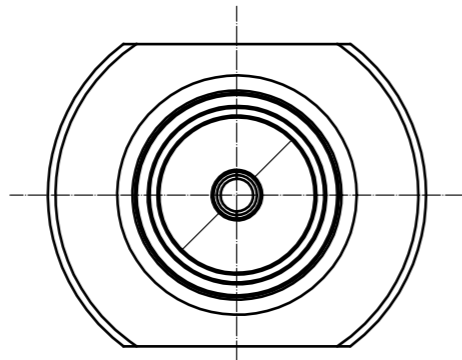


Apr.1.2024 Copyright 2024 HIROSE ELECTRIC CO., LTD. All Rights Reserved.
In case of consideration for using Automotive equipment / device which demand high reliability, kindly contact our sales window correspondents.

Unified screw thread type



- NOTES
- 1 WHEN THE MATING CONNECTOR, PLEASE HOLD MILLING AREA OF 8 ± 0.2 WITH A WRENCH.
 - 2 2-64UNF-2B SCREW TIGHTENING TORQUE IS $0.23 \text{ N} \cdot \text{m}$
PLEASE TIGHTEN THE SCREWS EVENLY WHEN MOUNTING THE CONNECTORS TO ENSURE STABLE ELECTRICAL CONTACT.
 - 3 PLEASE USE A PCB MOUNTING SCREW OF THE LENGTH OF L(mm).
THE LENGTH OF L(mm) IS PCB THICKNESS t1(mm) + SPRING WASHER THICKNESS t2(mm) + 2(mm).
PLEASE USE A SCREW WITH SPRING WASHER.
 4. THIS PRODUCT IS A SOLDERLESS MOUNTED CONNECTOR FOR PROTOTYPE EVALUATION OF HIGH SPEED TRANSMISSION BOARDS.
IT IS NOT RECOMMENDED FOR USE IN ACTUAL COMMERCIAL EQUIPMET.

MOUNTING OF CONNECTOR

(1) WHEN THE CONNECTOR IS MOUNTED ON PCB, PLEASE DO NOT BE A GAP BETWEEN THE EDGE OF PCB AND CONNECTOR.

(2) PLEASE MOUNT THE CONNECTOR AS LOCATED IN THE MIDDLE OF THE SIGNAL PAD OF PCB.

⚠ (DELETED ARTICLE.)

(PLEASE DO NOT BE A GAP BETWEEN THE EDGE OF PCB AND CONNECTOR.)

A(10:1)

(PLEASE MOUNT THE CONNECTOR AS LOCATED IN THE MIDDLE OF THE SIGNAL PAD OF PCB.)

3 2-64UNF-2A SCREW OUTSIDE DRAWING

RECOMMENDED PC BOARD PATTERN DRAWING(4:1)

B(10:1)

SIGNAL PAD

10.5 ± 0.1

5 ± 0.03

B

THE EDGE OF PCB

4.8 ± 0.1

2.2 ± 0.05

2 × ∅ 2.3 ± 0.05 through hole

GROUND PAD

SIGNAL LINE

1.24 ± 0.03

0.5 ± 0.03

0.85 ± 0.05

1 ± 0.05

GROUND PAD

SIGNAL LINE

PLEASE DESIGN THE SIGNAL PAD AND SIGNAL LINE WITH 50Ω .
REGIST FOR SIGNAL PAD AND GROUND PAD IS PROHIBITED.

RoHS COMPLIANT

2	PTFE						
1	BRASS	GOLD PLATING		3	BERYLLIUM COPPER	GOLD PLATING	
NO.	MATERIAL	FINISH .	REMARKS	NO.	MATERIAL	FINISH .	REMARKS
UNITS	mm	SCALE	5 : 1	COUNT	2	DESCRIPTION OF REVISIONS	DIS-D-00016447
				DESIGNED	NM. TORIUMI	CHECKED	TS. KANEKO
				DATE	20230803		
APPROVED : MH. YAMANE				20120208	DRAWING NO. EDC-342452-00-00		
CHECKED : MH. TSUCHIDA				20120208	PART NO. HRMCG-300-467B-1		
DESIGNED : RO. YOKOYAMA				20120203	CODE NO. CL0323-0937-0-00		
DRAWN : RO. YOKOYAMA				20120203			